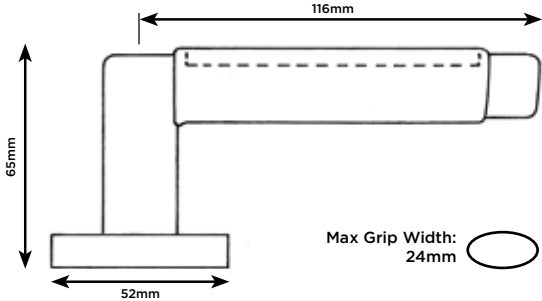




C1414

COMBINATION LEATHER

OVAL ANGLE (STITCH OUT) DOOR LEVER



Dimensional tolerance +/- 1.5mm



Metal Finishes



Leather Finishes



FINISHES

CONFIGURATIONS / FIXINGS

- Sprung as standard, unprung available upon request
- Through bolt fixing with **M4 X 60mm through bolts** (max door thickness 45mm). Please inform Sales if fitting to thicker doors.
- **8 x 8 x 110mm slotted spindle.**

ROSE / PLATE OPTIONS

	52mm Round	C1414
	52mm Round Privacy	C1536
	52mm Square	C2383
	52mm Square Privacy	C2384
	US Pre-Bore	N/A
	US Pre-Bore Privacy	N/A

	Rectangle Plate C1683		Rounded Plate C2385
	Slimline Plate C2386		Fineset Plate C2219

Please see relevant cut sheet for rose/plate details

COORDINATING ACCESSORIES

	Accessories	S1421, S1422, S1041, S1042		Furniture Knob	H1190, H1191, A1184, U1189
	Door Pull	C1603, C1575, C1061		Furniture Pull	H1193, A1181, A1183, U1684
	Window Hardware	C1092, C2360, C1645		Bathroom Accessories	J1207, J1208, J1209

TURNSTYLE DESIGNS LTD

Baron Way, Roundswell Business Park, Barnstaple, Devon, EX31 3TB, England
 +44 (0)1271 325325 / www.turnstyledesigns.com / sales@turnstyledesigns.com